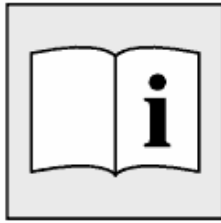
**Special tools required:**

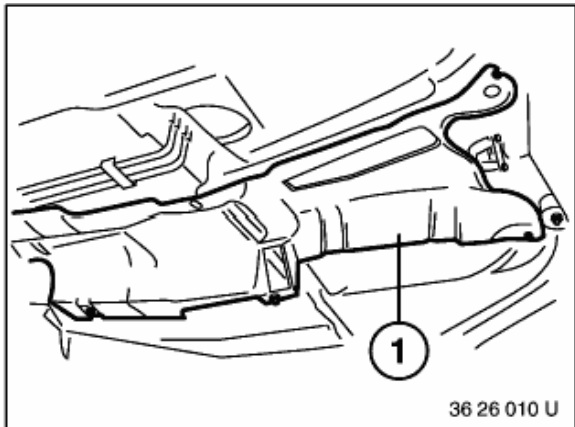
- 26 1 040



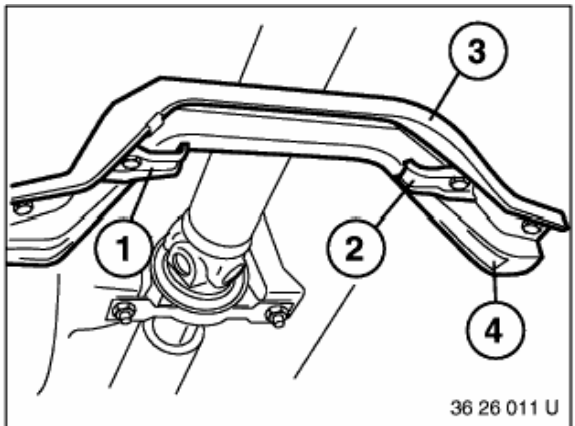
Remove complete exhaust system.

E36 / S54 (Z3):

Remove catalytic converter with center muffler.



Remove heat shield (1).

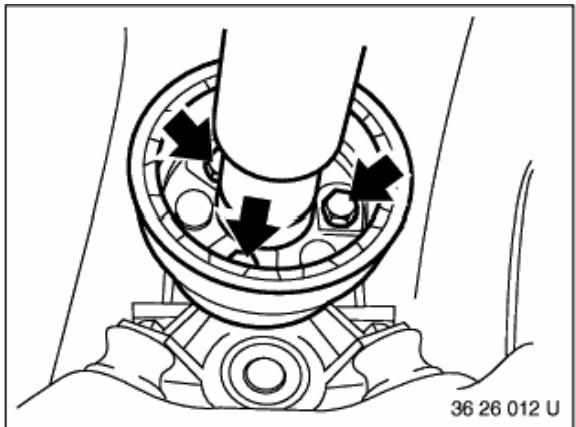


Remove bracket (1 and 2) for exhaust suspension.

Remove bar (3).

Installation:

Install bar (3) with long collar (4) towards front.



Remove flexible disk from transmission.

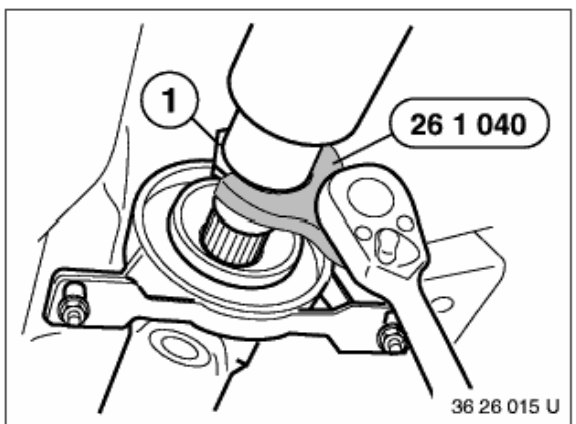
Release screws.

Tightening torque, 26 11 1AZ.

Installation:

Replace self-locking nuts.

Only tighten screw connection by way of nut.



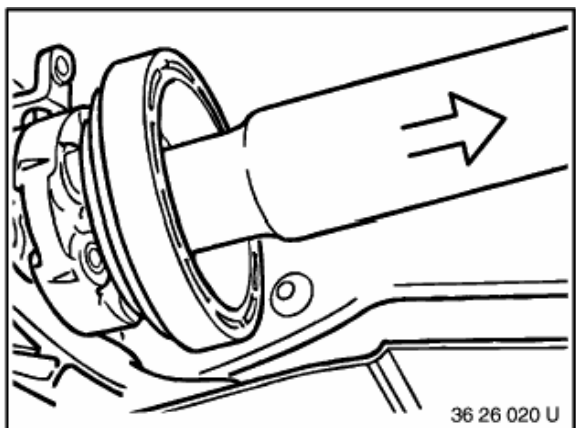
Version with slide:

Release threaded sleeve several turns with special tool 26 1 040 .

Installation:

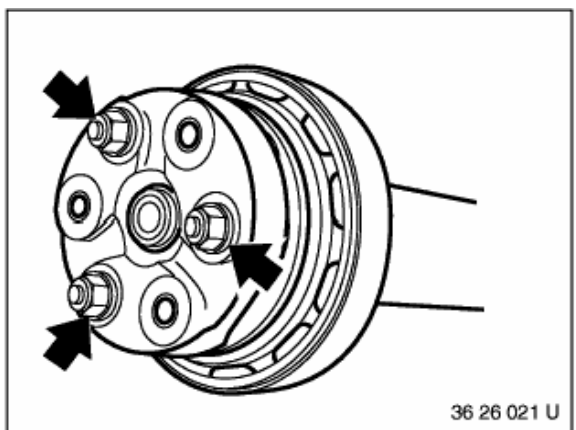
After completing installation, tighten threaded sleeve with special tool 26 1 040 .

Tightening torque, 26 11 3AZ.



Press propeller shaft away from guide pin on transmission.

Tilt front section of propeller shaft downwards.



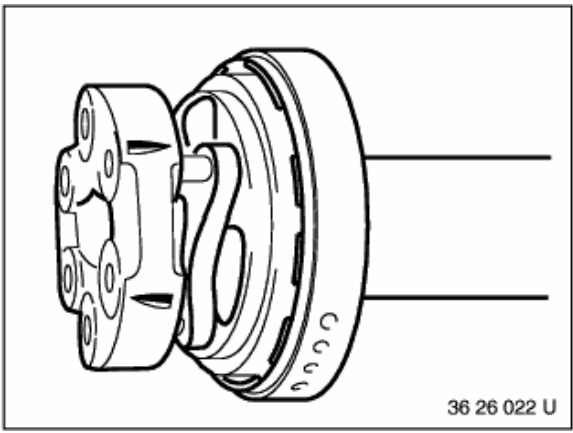
Release screws and remove flexible disk from propeller shaft.

Tightening torque, 26 11 1AZ.

Installation:

Replace self-locking nuts.

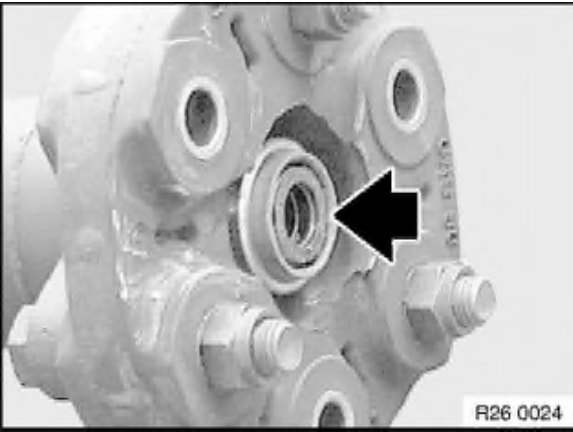
Only tighten screw connection by way of nut.



Replace flexible disk.

Caution!

Arrows on circumference of flexible disk must point to flange arms.



Installation:

Check centering mount.

Replace a damaged centering mount.

Grease centering mount.

Grease,
refer to BMW Service Operating Fluids.